

## Extreme Tag (Model: HKRAT-PT02)

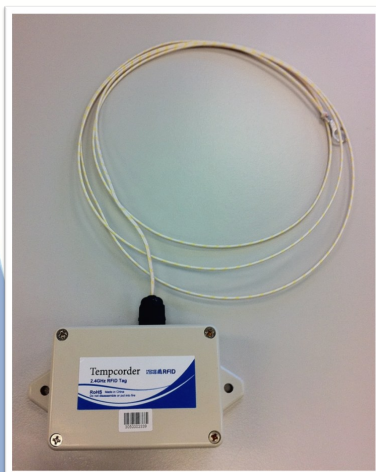
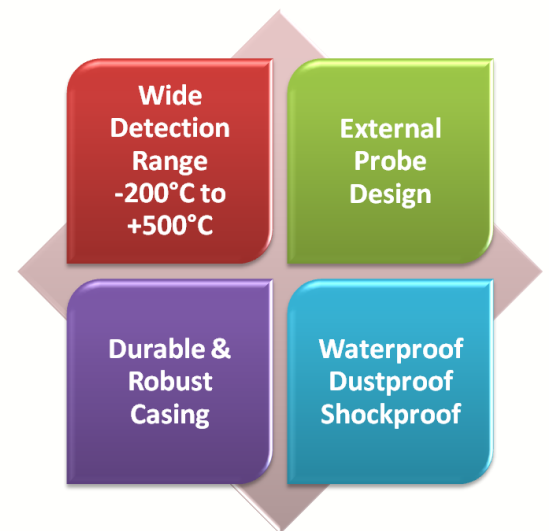
### Tempcorder™ 2.4GHz Active RFID Tag

*Temperature sensing tag with external probe that can detect temperature from  $-200^{\circ}\text{C}$  to  $+500^{\circ}\text{C}$  for environment monitoring or hazard prevention applications at extreme surroundings.*

The Tempcorder™ Active Tag family consist of a series of environment sensing active RFID tags equipped with accurate sensors and powerful RFID functionality. Not only do all Tempcorder™ Active Tags provide excellent reading range and reliability, their unique product design allows flexibility in applying tags on different objects.

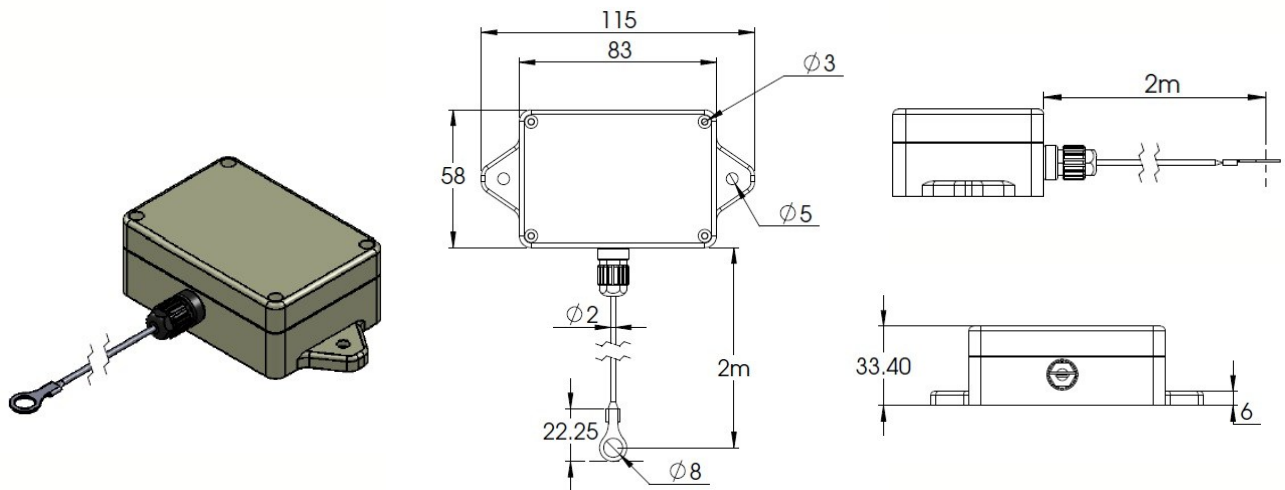
**Extreme Tag** has an external probe with detection temperature range of  $-200^{\circ}\text{C}$  to  $500^{\circ}\text{C}$ . The probe can be placed in contact with objects that are extremely hot while the body of the tag remains at another location that is of less extreme temperature. This allows the **Extreme Tag** to be used for temperature monitoring in extreme environments to deliver accurate real-time temperature data to the central server.

**Extreme Tag** has a battery life of more than 5 years. With its robust and durable design, the tag is suitable for long term usage even in harsh environments.



## Specification

|                             |  |
|-----------------------------|--|
| Frequency                   | 2.4GHz ~ 2.5GHz ISM  |
| RF Power Output             | 0dBm (1mW)   |
| Power                       | 16 ~ 18 $\mu$ A, 3V  |
| Modulation                  | GFSK   |
| Data Rate                   | 1Mbps  |
| Anti-Collision              | Read more than 100 tags simultaneously   |
| Operation                   | Read only  |
| Battery Type                | Lithium CR123A cylindrical cell  |
| Battery Life                | Around 2 years<br>(battery life measured at 5-second beacon interval)                    |
| Reading Range               | 30 to 50 meters (depends on reader)  |
| Dimension                   | Body: 115mm x 58mm x 33.4mm<br>Probe length: 0.5m (other lengths available upon request) |
| Detection Temperature Range | -200 °C to +500 °C   |
| Operation Temperature Range | Body: -30 °C to +60 °C<br>Probe: -200 °C to +500 °C                                      |
| Temperature Accuracy        | +/- 2 °C for 275 °C or below   |
| Temperature Resolution      | 0.1 °C   |



### Product Certificates:



For enquiries, please contact:  
Email: [sales@hk-rfid.com](mailto:sales@hk-rfid.com)  
Tel: (852) 3426 9511  
Fax: (852) 3426 9519

### Company Awards:



Distributor: